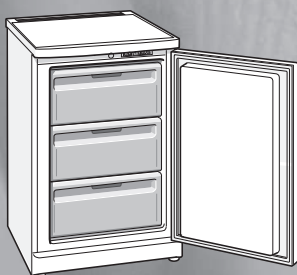




GSD11..

en Operating instructions



9000 364 401 (8902)



BOSCH

en Index

Information concerning disposal	3	Freezing food	9
Safety and warning information	3	Fast freezing	10
Getting to know your appliance	5	Defrosting frozen produce	10
Fascia	5	Switching off and disconnecting the appliance	11
Note ambient temperature and ventilation	6	Defrosting and cleaning the freezer compartment	11
Connecting the appliance	6	How to save energy	12
Switching on the appliance	7	Operating noises	12
Fittings	7	Eliminating minor faults yourself	13
Freezing and storing frozen food	8	Customer service	13
Freezing fresh food	8		

Information concerning disposal

Disposal of packaging

The packaging protects your appliance from damage during transit. All packaging materials are environmentally friendly and recyclable. Please contribute to a better environment by disposing of packaging materials in an environmentally-friendly manner.

Please ask your dealer or inquire at your local authority about current means of disposal.

Disposal of your old appliance

Old appliances are not worthless rubbish! Valuable raw materials can be reclaimed by recycling old appliances.



This appliance is labelled in accordance with European Directive 2002/96/EG concerning used electrical and electronic appliances (waste electrical and electronic equipment - WEEE). The guideline determines the framework for the return and recycling of used appliances as applicable throughout the EU.

Warning

Redundant appliances:

1. Pull out the mains plug.
2. Cut off the power cord and discard with the mains plug.

Refrigerators contain refrigerants and the insulation contains gases. Refrigerant and gases must be disposed of properly. Ensure that tubing of the refrigerant circuit is not damaged prior to proper disposal.

Safety and warning information

Before you switch ON the appliance

Please read the operating and installation instructions carefully.

They contain important information on how to install, use and maintain the appliance.

Keep all documentation for subsequent use or for the next owner.

Technical safety

- This appliance contains a small quantity of environmentally-friendly but flammable R600a refrigerant. Ensure that the tubing of the refrigerant circuit is not damaged during transportation and installation. Leaking refrigerant may cause eye injuries or ignite.

If damage has occurred

- Keep naked flames and/or ignition sources away from the appliance.
- Thoroughly ventilate the room for several minutes.
- Switch off the appliance and pull out the mains plug or switch off the fuse.
- Notify customer service.

The more refrigerant an appliance contains, the larger the room must be. Leaking refrigerant can form a flammable gas-air mixture in rooms which are too small.

The room must be at least 1 m³ per 8 g of refrigerant. The amount of refrigerant in your appliance is indicated on the rating plate inside the appliance.

- Only customer service may change the power cord and carry out any other repairs. Improper installations and repairs may put the user at considerable risk.

Important information when using the appliance

- Never use electrical appliances inside the appliance (e. g. heaters, electric ice makers, etc.). **Risk of explosion!**
- Never use a steam cleaner to defrost or clean the appliance. The steam may penetrate electrical parts and cause a short-circuit.
Risk of electric shock!
- Do not use pointed or sharp-edged implements to remove frost or layers of ice.
You could damage the refrigerant tubing. Leaking refrigerant may ignite or cause eye injuries.
- Do not store products which contain flammable propellants (e. g. spray cans) or explosive substances in the appliance. **Explosion hazard!**
- Do not stand or support yourself on the base, drawers or doors, etc.
- Before defrosting or cleaning the appliance, switch off the appliance, pull out the mains plug or switch off the fuse.
Pull on the mains plug, not on the power cord.
- Bottles which contain a high percentage of alcohol must be sealed and stored in an upright position.
- Keep plastic parts and the door seal free of oil and grease. Otherwise, parts and door seal will become porous.
- Never cover or block the ventilation openings for the appliance.

- People who have limited physical, sensory or mental abilities or inadequate knowledge must not use this appliance unless they are supervised or given meticulous instructions.
- Do not store bottled or canned drinks (especially carbonated drinks) in the freezer compartment. Bottles and cans may explode!
- Never put frozen food straight from the freezer compartment into your mouth.
Risk of low-temperature burns!
- Avoid prolonged touching of frozen food, ice or the evaporator pipes, etc.
Risk of low-temperature burns!

Children in the household

- Keep children away from packaging and its parts. Danger of suffocation from folding cartons and plastic film!
- Do not allow children to play with the appliance!
- If the appliance features a lock, keep the key out of the reach of children.

General requirements

The appliance is suitable

- for freezing food,
- for making ice.

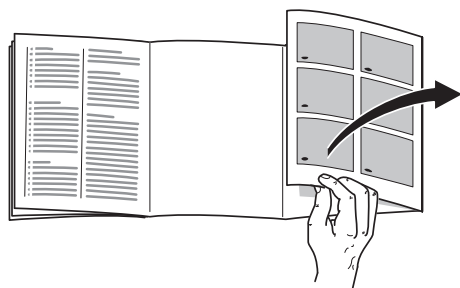
The appliance is designed for domestic use.

The appliance has been interference-suppressed in compliance with EU Directive 89/336/EEC.

The refrigerant circuit has been tested for leaks.

This product complies with the relevant safety regulations for electrical appliances (EN 60335/2/24).

Getting to know your appliance



Please fold out the illustrated last page. These operating instructions refer to several models.

The illustrations may differ.

Fig. 1

*not all models

- 1–5 Fascia
- 6 Ventilation opening
- 7 Worktop
- 8 Freezer shelf
- 9 Frozen-food calendar
- 10 Freezer drawer
- 11 Base panel
(with ventilation opening)*

Fascia

Fig. 2

1 Temperature selector

The temperature in the freezer compartment can be set by turning the temperature selector with a coin.

Position 1 – highest temperature

Position 7 – lowest temperature

2 On/Off button

A green indicator light shows that the freezer is on.

3 Super button

Switches super freezing on and off.

A yellow indicator light shows that the freezer is on.

To switch off, press the “Quick Freeze” button.

4 Alarm display

The red indicator light illuminates when the temperature in the freezer compartment is too low, so that the products in the compartment are at risk of defrosting.

It can temporarily light up without any risk to the frozen products:

- The appliance is switched on.
- Large quantities of fresh food are placed in the freezer.
- The freezer compartment door is open for too long.
- If the temperature selector is moved to a higher setting (lower temperature).

5 Alarm button (not all models)

The alarm signal sounds simultaneously with illumination of the red alarm indicator. The alarm stops when the red indicator light extinguishes or the alarm button is pressed.

Note ambient temperature and ventilation

The climatic class can be found on the rating plate. It specifies the ambient temperatures at which the appliance may be operated. The rating plate can be found inside the appliance at the bottom left-hand side.

Climatic category	Permitted ambient temperature
SN	+10 °C to 32 °C
N	+16 °C to 32 °C
ST	+16 °C to 38 °C
T	+16 °C to 43 °C

Ventilation

Fig. 3

The air at the back of the appliance will heat up. This warm air must be allowed to freely escape, otherwise the refrigerating machine must perform more. This raises electricity consumption. Hence, the air-inlet and outlet apertures should never be covered or blocked off!

Connecting the appliance

After installing the appliance, wait at least 1 hour until the appliance starts up. During transportation the oil in the compressor may have flowed into the refrigeration system.

Before switching on the appliance for the first time, clean the interior (see Cleaning).

The socket should be freely accessible.

Connect the appliance to 220–240 V/ 50 Hz alternating current via a correctly installed earthed socket. The socket must be fused with a 10 A to 16 A fuse.

If the appliance is to be operated in a non-European country, check on the rating plate whether the indicated voltage and current type correspond to the values of your mains supply. The rating plate is situated in the bottom left-hand side of the appliance. The power cord may be replaced by an electrician only.

Switching on the appliance

Press On/Off button, **Fig. 2/2**, green and red indicator lights are lit.

Switching off the warning signal

(not all models)

Press the alarm button. **Fig. 2/4**
So that the signal can continue to warn of a malfunction, press the warning off button again after the red indicator lamp goes out.

Selecting the temperature

Set the temperature selector on, **Fig 2/1**, to a number. The higher the number, the lower the temperature. We recommend a medium setting (of e.g. 2–3).

Note

- If you cannot open the freezer compartment door immediately after closing it, wait 2–3 minutes until the partial vacuum has equalised.
- The refrigeration system may cause several areas of the freezer shelves to frost quickly. This does not affect function or power consumption. The appliance does not require defrosting until the entire surface of the freezer shelf is covered with more than 5 mm of frost or ice.
- The sides of the housing are sometimes heated slightly. This prevents condensation in the area of the door seal.

Fittings

not on all models

Ice cube tray

Fig. 4

Fill the ice cube tray $\frac{3}{4}$ full of water and place in the freezer compartment. If the ice tray is stuck to the freezer compartment, loosen with a blunt implement only (spoon-handle).

To loosen the ice cubes, twist the ice tray slightly or hold briefly under flowing water.

Ice block

Fig. 5

(Not all models; if enclosed, quantity may vary).

If a power failure or malfunction occurs, the ice blocks can be used to slow down the thawing process. The most effective delay and the lowest power consumption are obtained if the ice block is placed directly on the food in the top compartment. The ice blocks can also be used to cool food temporarily, e.g. in a cold bag.

Freezer calendar

Fig. 6

The figures next to the symbols indicate the permitted storage period in months of the produce. If frozen produce is purchased, comply with the manufacturer's date or sell-by date.

Freezing and storing frozen food

Buying frozen food

The packaging must not be damaged.

Note the sell-by date.

The temperature in the supermarket freezer should be $-18\text{ }^{\circ}\text{C}$ or lower.

Transport the frozen food in an insulating bag, where possible and put it quickly into the freezer compartment.

Storing frozen food

- To ensure good air circulation in the appliance, push in the freezer drawers all the way.
- If large quantities of food are to be stored in the freezer, all the freezer drawers (except the bottom one) can be taken out of the appliance and the food stored directly on the freezer shelves. To remove a freezer drawer, pull out all the way, lift at the front and remove **Fig. 7**.

Freezing capacity

Information about the max. freezing capacity within 24 hours can be found on the rating plate.

Freezing fresh food

Freezing food yourself

If you are freezing food yourself, use only fresh, undamaged food.

The following foods are suitable for freezing:

Meat and sausage products, poultry and game, fish, vegetables, herbs, fruit, cakes and pastries, pizza, ready meals, leftovers, egg yolk and egg-white.

The following foods are not suitable for freezing:

Eggs in shells, soured cream and mayonnaise, green salads, radishes and onions.

Blanching vegetables and fruit

To retain colour, flavour, aroma and vitamin C, vegetables and fruits should be blanched prior to freezing. Blanching is the brief immersion of vegetables and fruit in boiling water. Literature on freezing and blanching is available in bookshops.

Freezing food

Freeze fresh, undamaged food only.

Keep food which is to be frozen away from food which is already frozen.

To prevent food from losing its flavour or drying out, place in airtight containers.

How to wrap food correctly:

1. Place the food in the wrapping.
2. Press out air.
3. Seal the wrapping.
4. Label the wrapping with the contents and date.

The following products are suitable for wrapping food:

Plastic film, polyethylene blown film, aluminium foil and freezer tins.
These products can be purchased from your dealer.

The following products are not suitable for wrapping food:

Wrapping paper, greaseproof paper, cellophane, refuse bags and used shopping bags.

The following products are suitable for sealing the wrapped food:

Rubber bands, plastic clips, string, cold-resistant adhesive tape or similar.
Bags and polyethylene blown film can be sealed with a film sealer.

Storage duration of the frozen food

Depends on the type of food.
At a mean temperature:

- Fish, sausage, ready meals and cakes and pastries:
up to **6 months**
- Cheese, poultry and meat:
up to **8 months**
- Vegetables and fruit:
up to **12 months**

Storing food in the appliance

Food which is already frozen must not come into contact with the food which is to be frozen. If required, move the frozen food to the freezer drawers.

When fresh food is placed in the freezer compartment its temperature can rise, causing the alarm to flash **Fig. 2/4**. However, the food which is already frozen is not at risk of thawing.
After 24 hours at the latest the set temperature is reached again.

Note

The ice blocks slow down the thawing process of the frozen food in the event of a power failure or malfunction.
Place the ice blocks directly on the food in the top compartment.

Usable capacity

Information on the usable capacity can be found inside your appliance on the rating plate.

Fast freezing

Food should be frozen solid as quickly as possible in order to retain vitamins, nutritional value, appearance and flavour.

Smaller quantities of food can be frozen without fast freeze.

To prevent an undesirable temperature rise when placing fresh food in the freezer compartment, switch on fast freeze several hours beforehand.

As a rule, 4–6 hours is adequate.

Switch fast freeze on and off by pressing the Fast freeze button (yellow). **Fig. 2/3**

The yellow indicator lamp lights up when this mode is active. The refrigerating machine now operates constantly, and a low temperature is obtained in the appliance.

If max. freezing capacity is to be utilised, 24 hours are required.

The food is frozen after approx. 24 hours.

As soon as the food is frozen, switch off the Fast freeze button. The yellow indicator light goes out.

Defrosting frozen produce

Depending on the type of food and intended use, frozen produce can be defrosted:

- At room temperature,
- In a refrigerator,
- In an electric oven, with/without fan assisted hot-air,
- In a microwave

Note

Do NOT refreeze food which is beginning to defrost or which has already defrosted. Only food which is subsequently prepared (cooked or fried) may be refrozen.

No longer store the frozen produce for the max. storage period.

Switching off and disconnecting the appliance

Switching off the appliance

Press the On/Off button. **Fig. 2/2**
Green indicator light goes out.

Disconnecting the appliance

If the appliance is not used for a prolonged period:

1. Switch off the appliance.
2. Pull out the mains plug or switch off the fuse.
3. Clean the appliance.
4. Leave the appliance door open.

Defrosting and cleaning the freezer compartment

Proceed as follows:

- Switch off the appliance and pull out the mains plug.
- Place the freezer drawers containing the food in a cool location. Place ice block (if available) on the food.
- Empty the middle drawer and leave in the appliance to catch the water.
- To accelerate the defrosting process, place two pans of hot water on a base in the appliance. Close the appliance door to prevent heat from escaping.
- When the freezer compartment has defrosted, pour the water out of the freezer drawer. Wipe any remaining water off the bottom of the freezer compartment with a sponge.
- Clean the freezer compartment with water and a little washing-up liquid.
- Switching on the appliance

Attention

Do not use abrasive or acidic cleaning agents and solvents.

Clean the door seal with water only and then dry thoroughly.

Water used for cleaning must not drip into the control panel.

NEVER clean appliance parts in the dishwasher, as they may warp!

How to save energy

- Install the appliance in a dry, well ventilated room, but not in direct sunlight and not near a heat source (e.g. radiator, cooker, etc.). If required, use an insulating plate.
- Do not block the ventilation openings in the appliance.
- Allow warm food to cool down before placing it in the freezer.
- When thawing frozen food, place it in the refrigerator compartment. The low temperature of the frozen food will then cool the food in the refrigerator compartment.
- Defrost the appliance when ice forms. A thick layer of ice impairs refrigeration of the frozen food and increases the power consumption.
- When loading or unloading the freezer, open the appliance door as briefly as possible.
The briefer the appliance door is opened, the lower the ice formation on the freezer shelves.
- To prevent the food from warming up quickly in the event of a power failure or malfunction, take ice blocks from the freezer tray and place them in the top compartment directly on the food.
- Occasionally clean the rear of the appliance with a vacuum cleaner or paint brush to prevent an increased power consumption.

Operating noises

Normal noises

Humming – refrigerating unit is running.

Bubbling, gurgling or whirring noises – refrigerant is flowing through the tubing.

Clicking – motor is switching on or off.

Preventing noises

The appliance is not level

Please align the appliance with a spirit level. Use the height-adjustable feet or place something under the feet.

The appliance is not free-standing

Please move the appliance away from adjacent units or appliances.

Drawers or storage areas wobble or stick

Please check the removable parts and, if required, reinsert them.

Bottles or receptacles are touching each other

Please move bottles or receptacles away from each other.

Eliminating minor faults yourself

Before you call customer service, please check whether you can eliminate the fault yourself based on the following information.

A technician who is called out for consultation purposes will charge the customer, even if the appliance is still under guarantee.

What to do if ...

... the freezer compartment is too cold:

- The temperature selector has been set too low.
- Fast freeze was inadvertently left ON (yellow pilot light is ON). Switch OFF fast freeze.

... all the pilot lights are OFF,

Check whether:

- The appliance has been switched ON.
- There has been a power failure.
- The fuse for the building electrical system has been switched OFF.
- The mains plug has been correctly inserted into the socket.

... the temperature warning lamp (red) is glowing.

The freezer compartment is too warm because:

- The door was opened frequently or large quantities of fresh food were frozen.
- The temperature selector was set to a higher setting.
- The ventilation slots were covered.

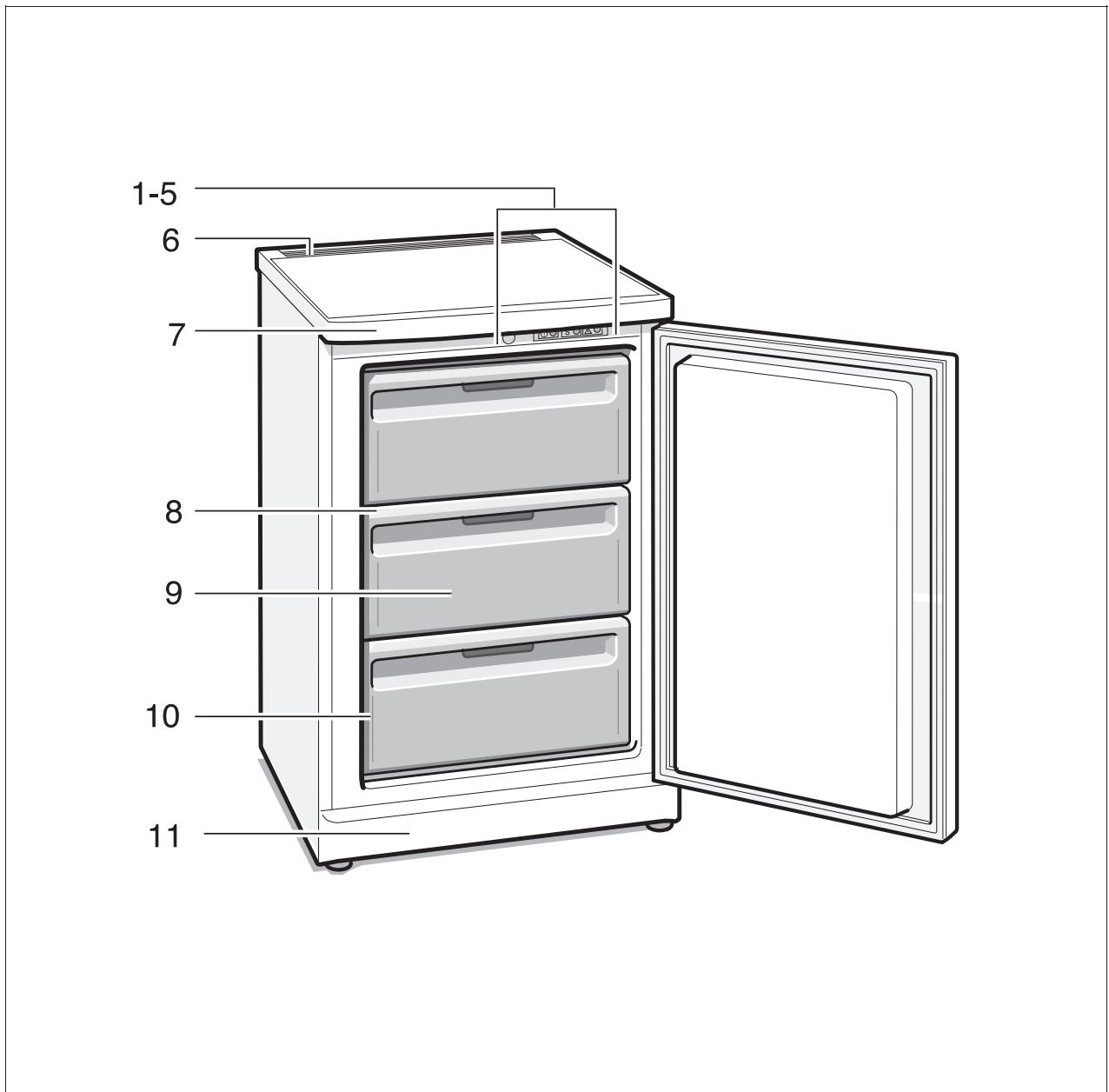
When these faults have been rectified, the temperature warning light goes out. If the light does NOT go out, call customer service.

Customer service

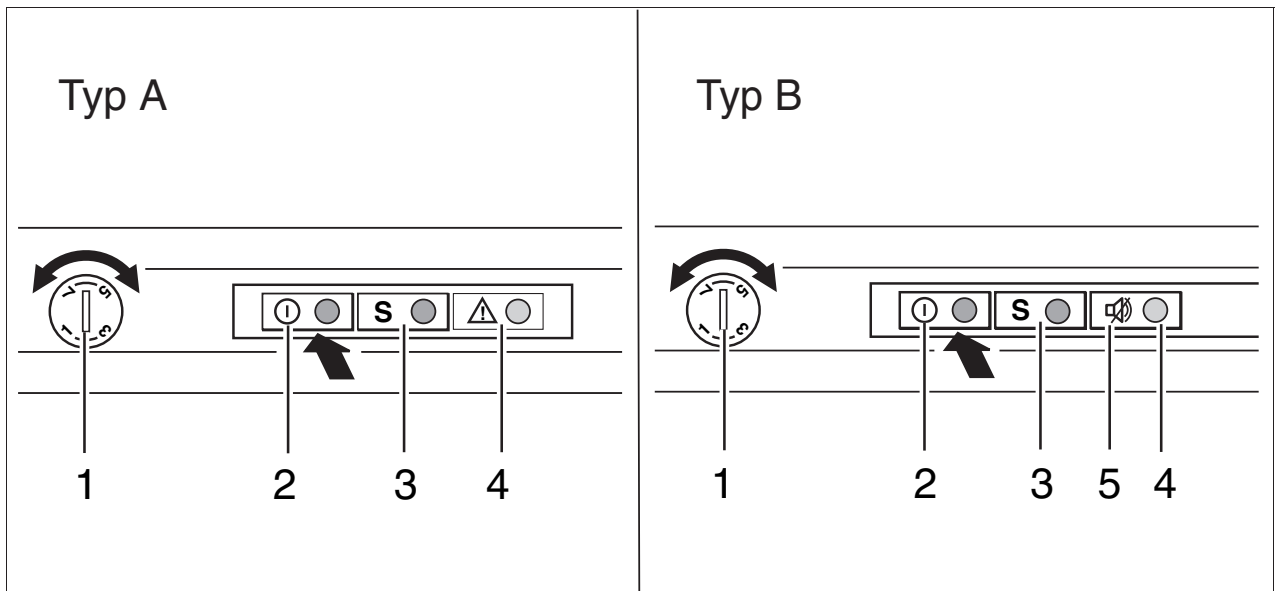
Your local customer service can be found in the telephone directory or in the customer-service index. Please provide customer service with the appliance product number (E-Nr.) and production number (FD).

This information can be found on the product label. **Fig. 8**

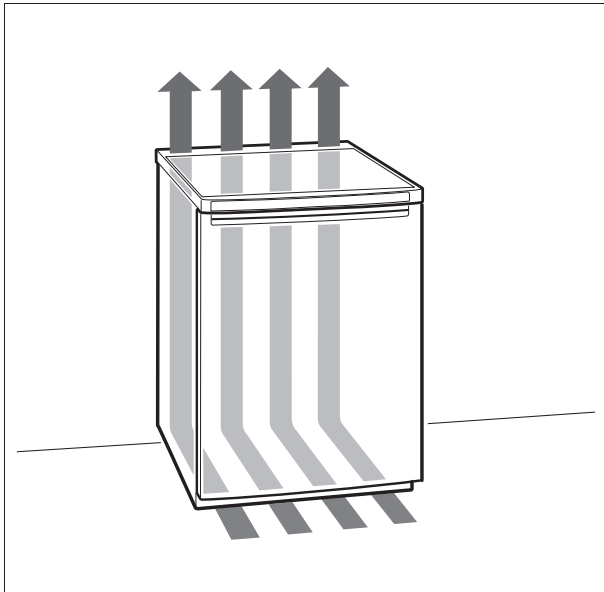
To prevent unnecessary call-outs, please assist customer service by quoting the product and production numbers. This will save you additional costs.



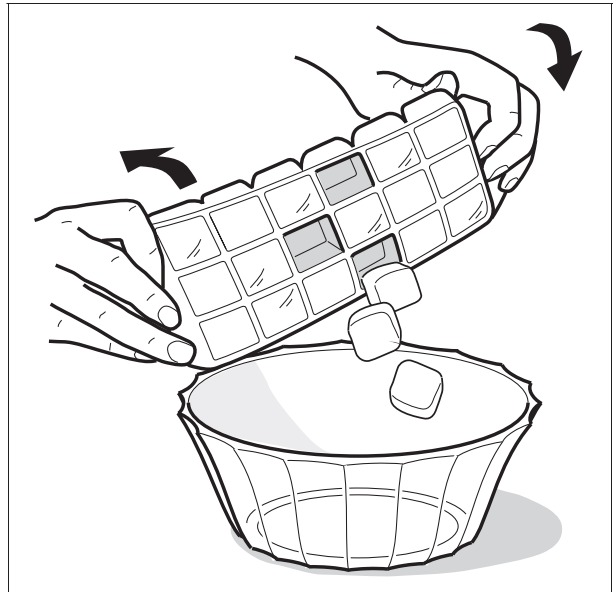
1



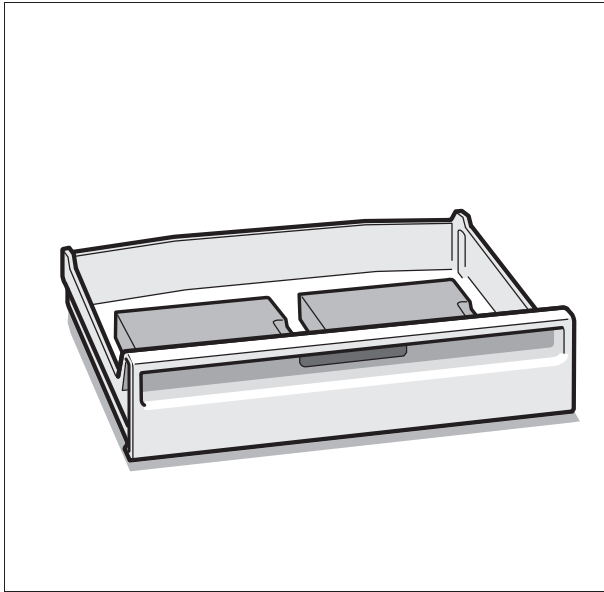
2



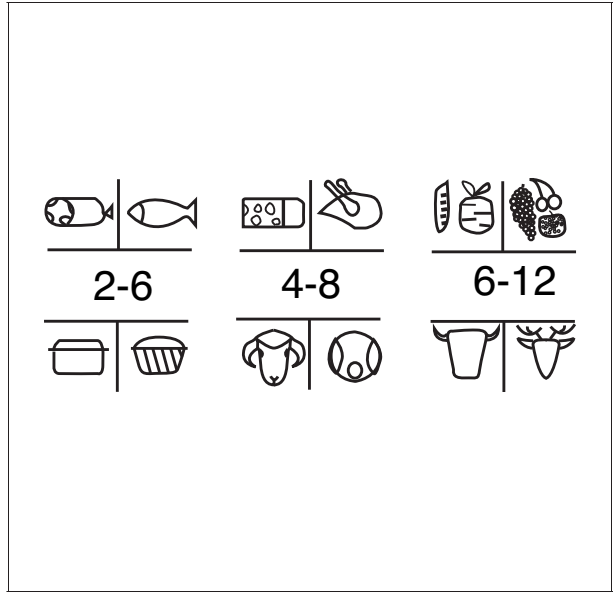
3



4



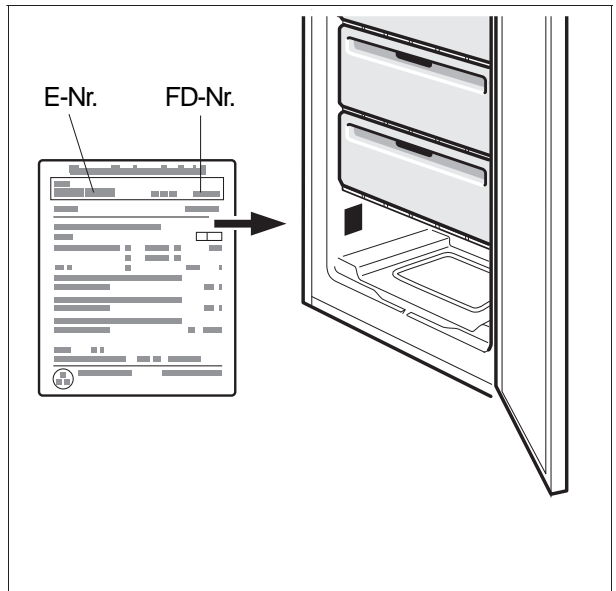
5



6



7



8

Bosch Infoteam (Mo-Fr: 8.00-18.00 Uhr erreichbar)

Für Produktinformationen sowie Anwendungs- und Bedienungsfragen:

Tel.: **01805 304050*** oder unter **bosch-infoteam@bshg.com**

*) 0,14 EUR/Min aus dem Festnetz der T-Com, Mobil ggfs. abweichend.

Nur für Deutschland gültig!

Subject to alterations.